

PRODUCT SHEET

FACE SHIELD

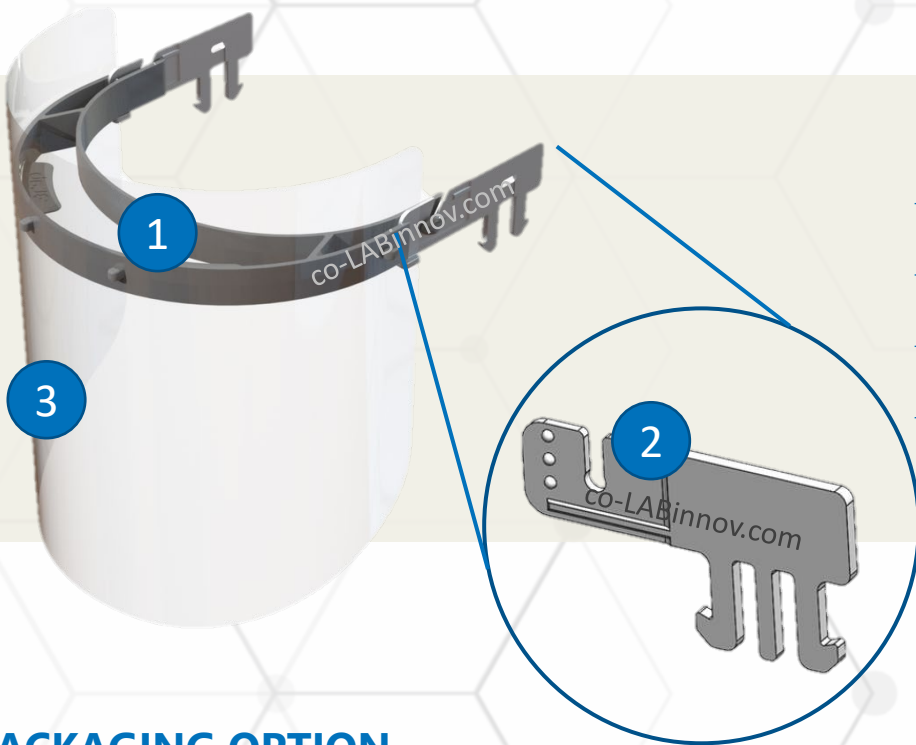


Suitable system for construction helmet for adding our protective shield.



RETRACTABLE SYSTEM

- ✓ Durable
- ✓ Washable and reusable
- ✓ Adapts to different helmets
- ✓ Designed & manufactured in Canada



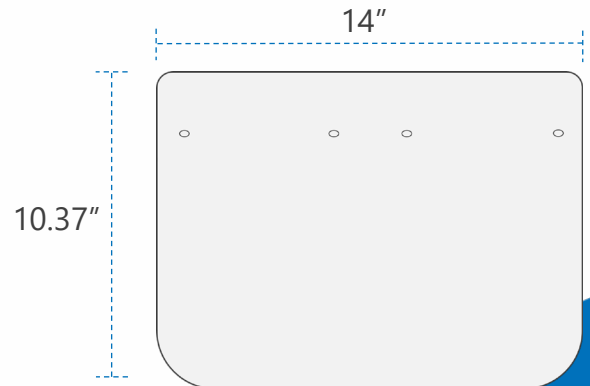
Item	Name	Material
1	Frame	Polypropylene
2	Clip	Polypropylene
3	Shield	PETG, PC, PMMA

PACKAGING OPTION



ORDER ONLINE
co-LABinnov.com
 Standard boxes:
 25, 50, 200, 600 or 1000

SHIELD DIMENSION



Get a quote for order more than 1 000 units:
 1 888 336 3697
info@co-labinnov.com